

GeBE-COMPACT Plus (Presenter)

GPT-467x(-P)

TECHNICAL INFORMATION



Highlights at first sight:

- built-in thermal printer in robust stainless steel housing, also with presenter
- retract function for paper-saving printing and data-sensitive printouts
- cutter for full and half cut
- suitable for protocol, receipt and ticket printing with text, graphics and barcodes
- for paper width 54 – 86 mm, paper thickness 70 – 190 µm and paper roll diameter up to 300 mm
- high quality print of 203/300 dpi with speed up to 250 mm/s
- suitable for solar operation, power supply 10.8 – 26.5 VDC

The GeBE-COMPACT Plus (Presenter)

The built-in thermal printer GeBE-COMPACT Plus (Presenter) GPT-4672(-P) / GPT-4673(-P) is mounted in a stainless steel housing and is tailored for front panel or paper catch solutions. The power supply of 10.8 – 26.5 VDC also allows the solar operation.

The paper retract function back to the paper beginning directly after the cut allows paper-saving prints. The GeBE-COMPACT Plus with presenter unit can even completely confiscate a not removed printout (e.g. bank statements) after a programmed time. In addition, the fast printout "presenting" of the presenter unit prevents damage to printer mechanism and cutter, caused by impatient pulling when removing a ticket.

Blackmarks exactly control the printing process (e.g. text in preprinted tickets). The wide range of available layout commands and several character sizes allow an attractive ticket design.

Using the right paper, the printer can be operated in a temperature range of -20°C to +70°C (-4°F to +158°F), also for outdoor application.

Typical application

- Protocol printing, e.g. in machines
- Ticket printing in kiosk systems, e.g. for deposit voucher
- Ticket printing in vending machines, e.g. train ticket

Drivers

The printer controllers GCT-469x (A8) and GCT-4663/GCT-46620 (C32) will be supported by following drivers:

- Windows[®] CE 5.0, 6.0, 7.0 and Windows[®] 7, 8, 8.1, 10
- Cups for Linux Ubuntu 16.04 LTS (others on request)
- SDK for Windows[®] CE 6.0, 7.0 and Windows[®] 7, 8, 8.1, 10, Android Studio up from version 3.2.1, Linux Ubuntu 16.04 LTS, (others on request)

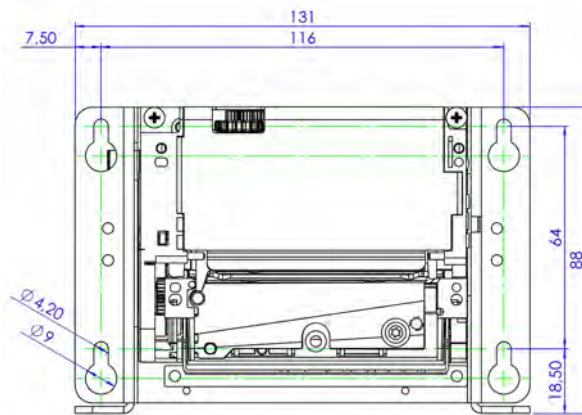
Accessory

Article number	Article description	GPT-4672	GPT-4672-P	GPT-4673	GPT-4673-P
Cable					
12872	Data round cable USB 2.0 FS, 5 pin, Molex to USB A, length 2,000 mm (78.74 inch)	x	x	x	x
11352	Data round cable RS232, 5 pin, JST SHR to Sub-D, length 1,000 mm (39.37 inch)	x	x	x	x
11387	Data cable RS232, 5 pin, JST SHR - one side open, length 500 mm (19.69 inch)	x	x	x	x
10258	Power supply cable for 10 – 36 VDC, 2 single wires 1.0 qmm with end splice, one side open, length 500 mm (19.69 inch)	x	x	x	x
Power supply					
13694	Power supply 24 VDC/ 6.5A with shockproof plug and power supply cable	x	x	x	x
Spare parts					
13929	Mounting bracket	A8			
14161	Platen	x	x		
13925	Mounting bracket			x	
14162	Platen			x	x
Options					
13680	Paper roll holder with adjustable entry angle for paper rolls ø 50 – 150 mm (1.97 – 5.91 inch)	x	x		
13084	Paper roll holder for paper rolls ø 50 – 110 mm (1.97 – 4.33 inch)	x	x		
13306	Bezel with mounting plate (metal)	x			
13970	Bezel with mounting plate (metal)		x		
14165	Bezel with mounting plate (plastic)	x	x		
13681	Paper roll holder with adjustable entry angle for paper rolls ø 50 – 150 mm (1.97 – 5.91 inch)			x	x
13085	Paper roll holder for paper rolls ø 50 – 110 mm (1.97 – 4.33 inch)			x	x
13308	Bezel with mounting plate (metal)			x	
14166	Bezel with mounting plate (plastic)			x	x
13642	Mounting plate onto paper catch GPS-085			x	
11342	Paper catch for paper width up to 85 mm (3.35 inch), receipt length 70 mm (2.76 inch)	x		x	
11957	Paper catch for paper width up to 85 mm (3.35 inch), receipt length 130 mm (5.12 inch)	x		x	
14130	Exit sensor incl. sensor holder for controller with PHDR8 connector	C32			
14196	Exit sensor incl. sensor holder for controller with SHR6 connector			C32	
13380	NPE sensor for paper roll holder art.no. 13084/13085 and controller with XHP3 connector	A8	A8	x	

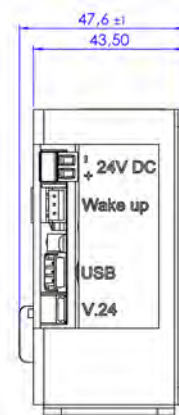
Article number	Article description	GPT-4672	GPT-4672-P	GPT-4673	GPT-4673-P
13378	NPE sensor for paper roll holder art.no. 13680/13681 and controller with XHP3 connector	A8	A8	x	
14023	NPE sensor for paper roll holder art.no. 13680/13681 and controller with ZHR3 connector	C32	C32		x
13307	Exit sensor for bezel art.no. 13306/13970 and controller with SHR4 connector	A8	A8		
14156	Exit sensor for bezel art.no. 13306 and controller with PHDR8 connector	C32			
13390	Exit sensor for paper catch and controller with SHR4 connector	A8			
Paper					
12993	7 years paper • roll max: ø 70 mm (2.76 inch) • core inside: ø 25 mm (0.98 inch) • width: 59.5 ±0.5 mm (2.34 ±0.02 inch) • paper thickness: approx. 80 µm (3.15 mil) • outside coated • running length: 40 m (43.75 yd)	x	x		
13760	7 years paper • roll max: ø 90 mm (3.54 inch) • core inside: ø 25 mm (0.98 inch) • width: 59.5 ±0.5 mm (2.34 ±0.02 inch) • paper thickness: approx. 80 µm (3.15 mil) • outside coated • running length: 70 m (76.55 yd)	x	x		
13001	7 years paper • roll max: ø 150 mm (5.91 inch) • core inside: ø 25 mm (0.98 inch) • width: 59.5 ±0.5 mm (2.34 ±0.02 inch) • paper thickness: approx. 80 µm (3.15 mil) • outside coated • running length: 210 m (229.66 yd)	x	x		
12785	7 years paper • roll max: ø 70 mm (2.76 inch) • core inside: ø 25 mm (0.98 inch) • width: 82.0 ±0.5 mm (3.23 ±0.02 inch) • paper thickness: approx. 80 µm (3.15 mil) • outside coated • running length: 40 m (43.75 yd)			x	x
13671	7 years paper • roll max: ø 150 mm (5.91 inch) • core inside: ø 25 mm (0.98 inch) • width: 82.0 ±0.5 mm (3.23 ±0.02 inch) • paper thickness: approx. 80 µm (3.15 mil) • outside coated • running length: 210 m (229.66 yd)			x	x

Technical drawings

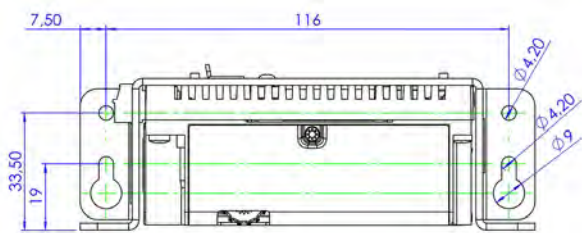
INFO: The power supply connection depends on the controller version and can be a 2 or 3-pole connector.



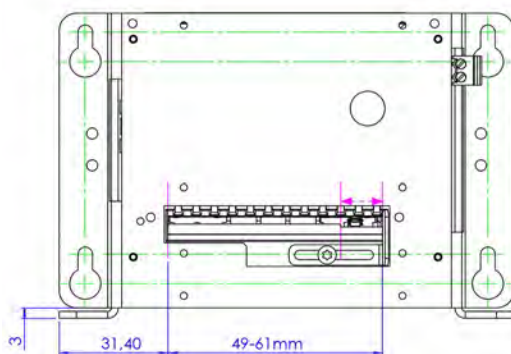
Front view



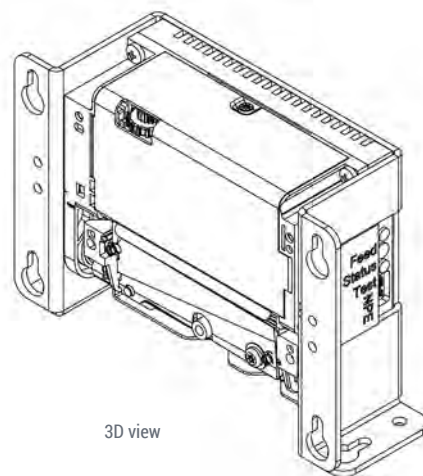
Side view from the left



Top view



Back view



3D view

Figure 1: Dimensions GeBE-COMPACT Plus GPT-4672 with mounting bracket (for max. 60 mm paper width) in mm

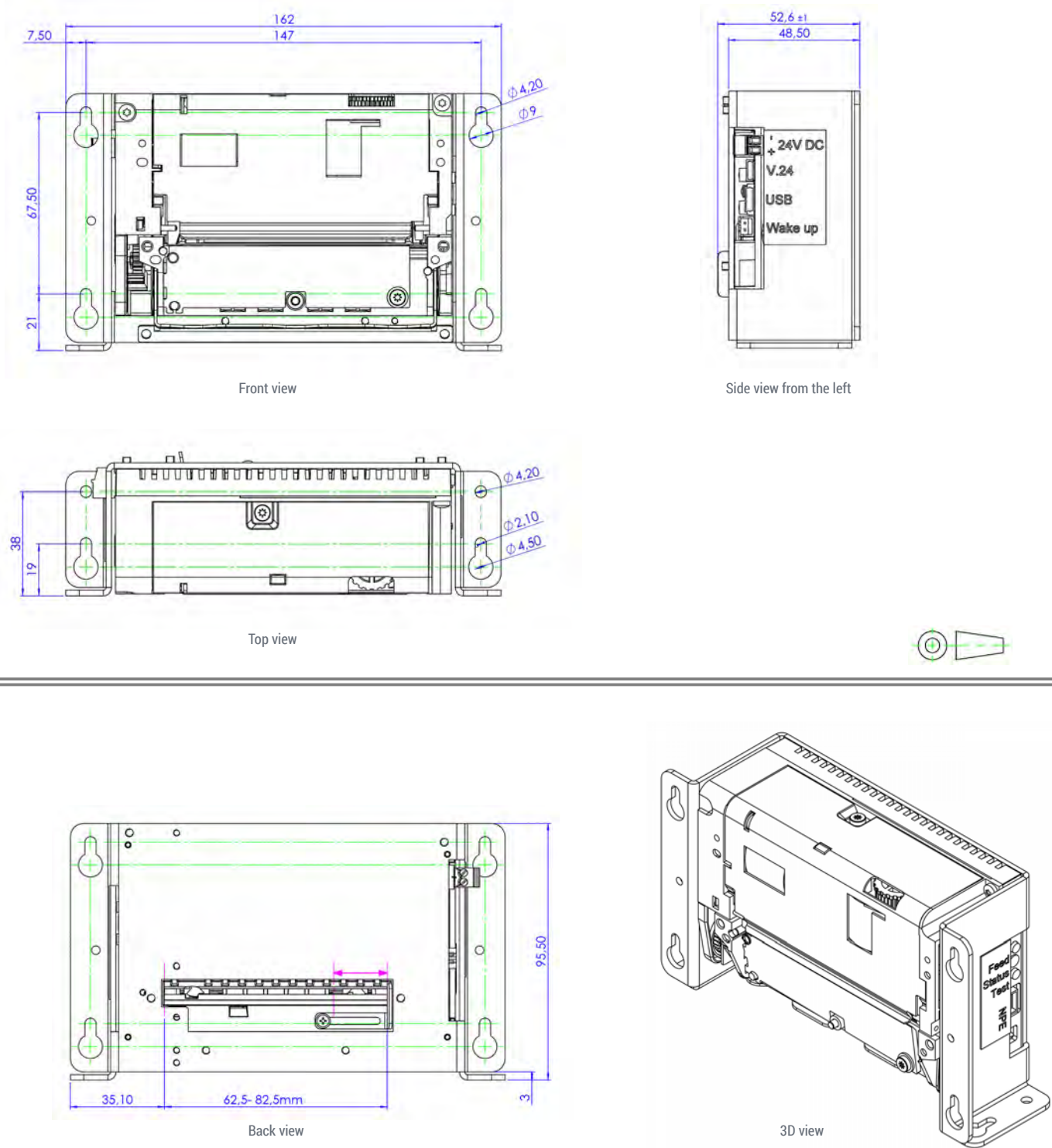
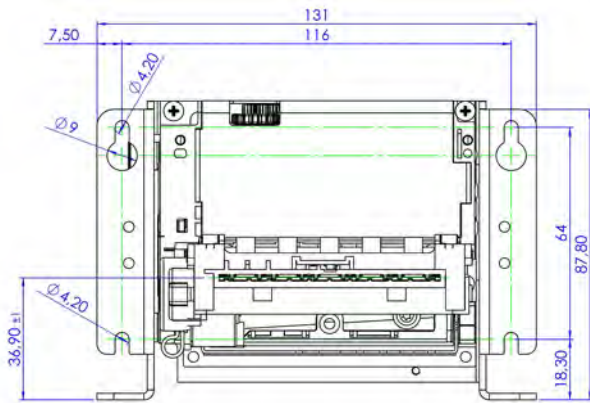
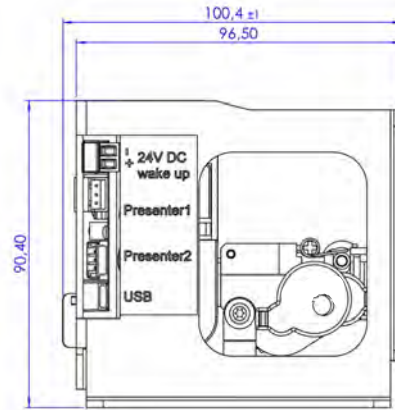


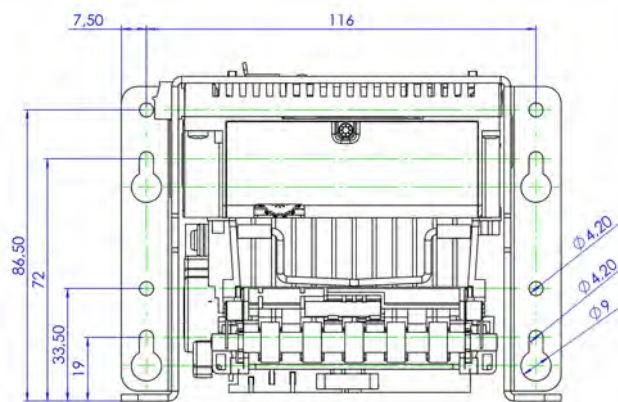
Figure 2: Dimensions GeBE-COMPACT Plus GPT-4673 with mounting bracket (for max. 82.5 mm paper width) in mm



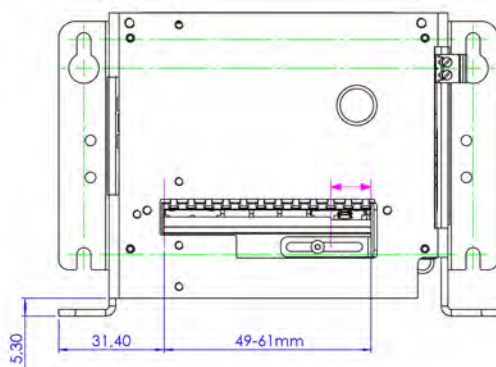
Front view



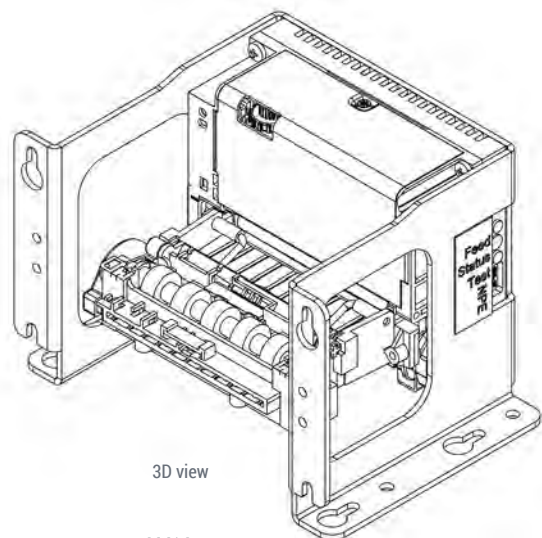
Side view from the left



Top view

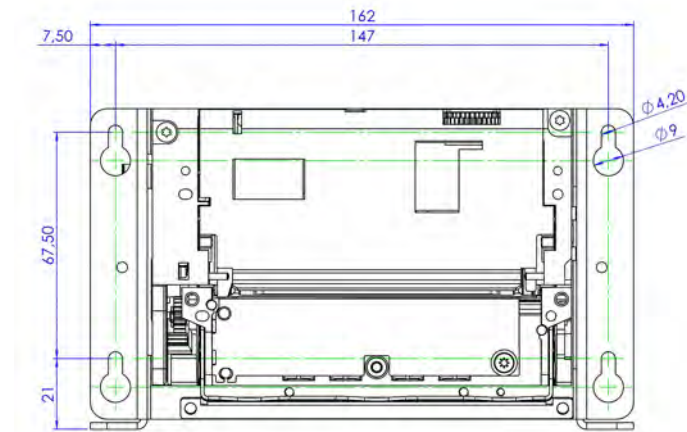


Back view

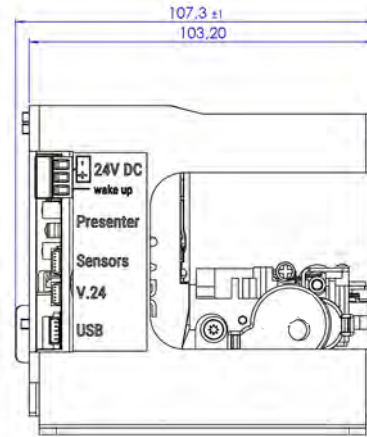


3D view

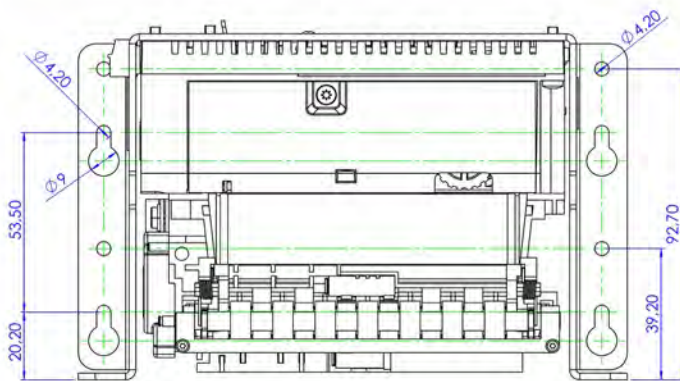
Figure 3: Dimensions GeBE-COMPACT Plus GPT-4672 with presenter and mounting bracket (for max. 60 mm paper width) in mm



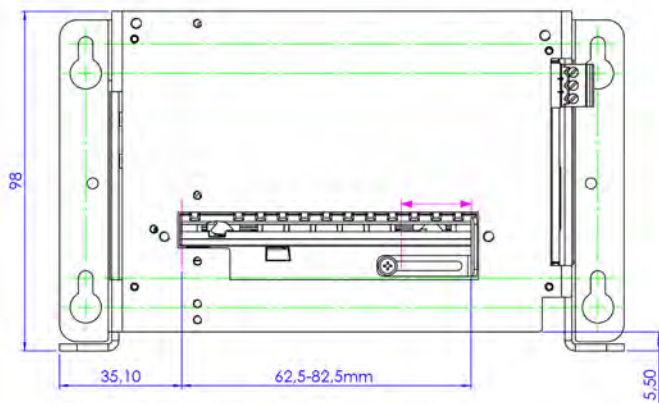
Front view



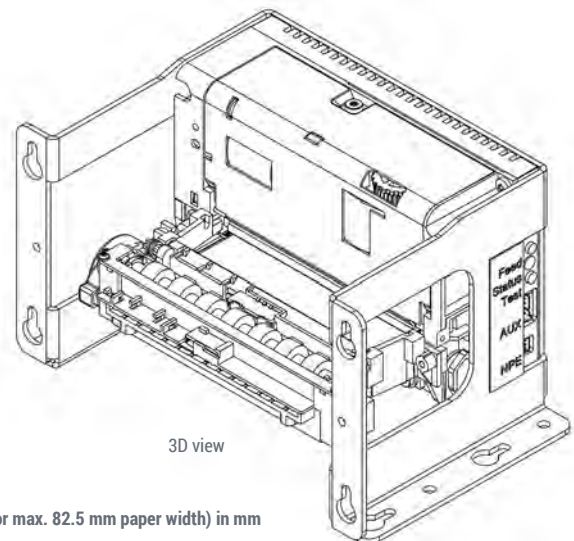
Side view from the left



Top view



Back view



3D view

Figure 4: Dimensions GeBE-COMPACT Plus GPT-4673 with presenter and mounting bracket (for max. 82.5 mm paper width) in mm

Technical data details

	GPT-4672	GPT-4672-P	GPT-4673	GPT-4673-P (A8 only)
Insert paper	auto paper loading			
Print procedure	thermal direct print			
Resolution	8 dots/mm (203 dpi), 448 dots/line (12 dots/mm (300 dpi), 672 dots/line on request)		8 dots/mm (203 dpi), 640 dots/line (12 dots/mm (300 dpi), 960 dots/line on request)	
Print speed	A8	max. 200 mm/s (7.87 inch/s), depending on printer mechanism and settings		
	C32	max. 250 mm/s (9.84 inch/s), depending on printer mechanism and settings		-/-
Paper width	54 – 60 mm (2.13 – 2.36 inch)	58 – 60 mm (2.28 – 2.36 inch)	63 – 82.5 mm (2.48 – 3.25 inch) on request: 63 – 86 mm (2.48 – 3.39 inch)	80 – 82 mm (3.15 – 3.23 inch)
Print width	56 mm (2.20 inch)		80 mm (3.15 inch)	
Paper thickness	70 – 190 µm (2.76 – 7.48 mil)	70 – 100 µm (2.76 – 3.94 mil)	70 – 190 µm (2.76 – 7.48 mil)	70 – 100 µm (2.76 – 3.94 mil)
Paper roll diameter	150 mm (5.91 inch) with paper roll holder / on request: up to 300 mm (11.81 inch)			
Supply voltage	10.8 – 26.5 VDC			
Current consumption print	adjustable via command: approx. 3.0 – 12.0 A (peak)			
Current consumption without print	approx. 80 mA (depending on interface)			
Available interfaces	USB 2.0 FS, RS232			
Fonts	A8	IBMII 28, 56 characters/line, extendable		IBMII 36, 72 characters/line, extendable
	C32	23 fonts extendable, UTF-able		-/-
Barcode	A8	EAN13, Code39, 2of5int, optional on request: EAN8, Code128c, PDF417		
	C32	EAN8, EAN13, UPCA, Code39, 2of5int, Code128, QR Code		-/-
MTBF**)	100 km (62 miles) / 2 Mio. cuts			
Dimensions (W x H x D)	131 x 88 x 44 mm (5.16 x 3.46 x 1.73 inch)	131 x 91 x 97 mm (5.16 x 3.58 x 3.82 inch)	162 x 96 x 49 mm (6.38 x 3.78 x 1.93 inch)	162 x 98 x 104 mm (6.38 x 3.86 x 4.09 inch)
Weight with mounting bracket	approx. 545 g	approx. 725 g	approx. 840 g	approx. 1,060 g
Housing	stainless steel			
Environment**)	-20°C – +70°C (-4°F – +158°F) with specified paper			
Humidity	10 – 90 % relative humidity, without condensation			
Storage condition	-20°C – +70°C (-4°F – +158°F) at 10 – 90 % relative humidity, without condensation			

*) Life cycle according to mechanism testing conditions of the manufacturer with specified paper only. Please inquire. The life cycle of the print head is an averaged expectable performance and no guaranteed data. Under optimum conditions, the above listed data can be achieved using specified paper according to our documentation TI-DE-0606.

**) In case the print head reaches the maximum ambient temperature, the printer will interrupt operation until cooling down and sends an error message.

The GeBE logo is a registered trademark of GeBE Elektronik und Feinwerktechnik GmbH. All other brands named in this brochure are properties of the respective companies. The technical data given are non-committal information and do not represent any assurance of certain features. Errors and changes reserved. This technical documentation is only valid until release of a revision. Please always request the newest documentation edition.

Our terms of payment and delivery apply.

Copyright © 2020 GeBE Elektronik und Feinwerktechnik GmbH. All rights reserved.